

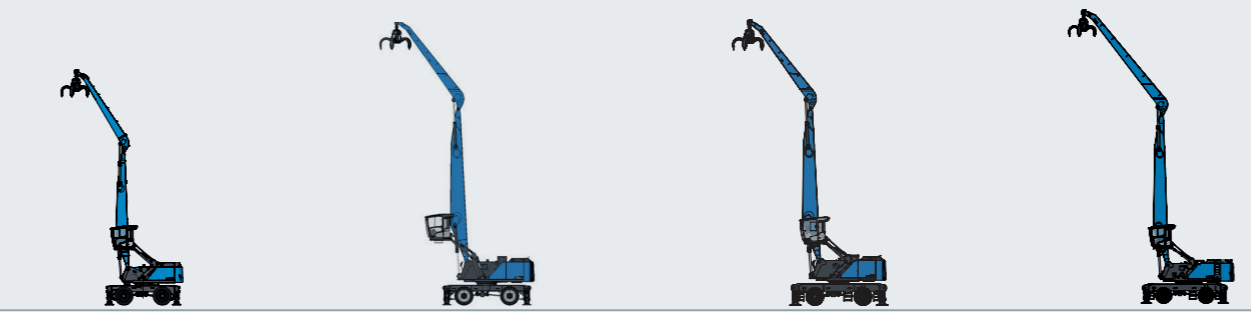
MHL



	MHL310	MHL320 MODULAR+	MHL331	MHL335	MHL340
	114 hp	127 hp	154 hp	154 hp	173 hp
		127 hp	154 hp	154 hp	171 hp
	75 kW	75 kW	90 kW	90 kW	110 kW
	37,699 lbs	46,297 lbs	53,351 lbs	56,217 lbs	67,461 lbs
	29'6"	34'1"	39'4"	39'4"	44'11"



	MHL345	MHL350	MHL355	MHL360	MHL365
	173 hp	215 hp	215 hp	255 hp	255 hp
	171 hp	198 hp	198 hp	250 hp	250 hp
	110 kW	132 kW	132 kW	160 kW	160 kW
	68,784 lbs	78,264 lbs	90,169 lbs	107,585 lbs	114,200 lbs
	44'11"	52'5"	52'5"	59'	59'



	MHL370	MHL375	MHL380	MHL390
	308 hp	328 hp	328 hp	402 hp
	308 hp	328 hp	328 hp	366 hp
	200 kW	220 kW	220 kW	250 kW
	114,640 lbs	146,607 lbs	158,300 lbs	191,802 lbs
	59'	65'7"	72'2"	80'4"



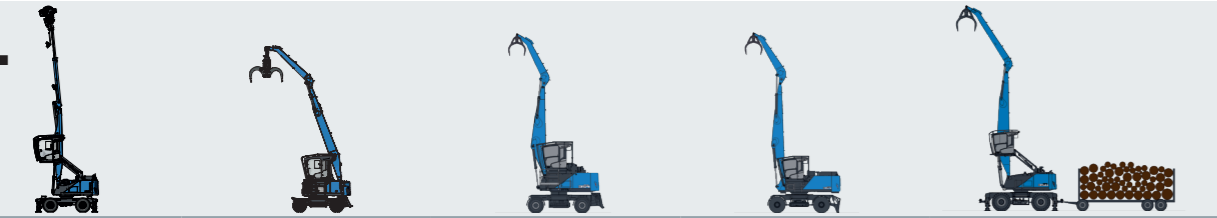
	MHL360 PYLON (2'7")	MHL365 PYLON (4'7")
	255 hp	255 hp
	250 hp	250 hp
	160 kW	160 kW
	110,451 lbs	122,356 lbs
	59'	59'



PYLON-MOUNTED MACHINES

As an option every Fuchs machine can be equipped with a pylon.

MHL

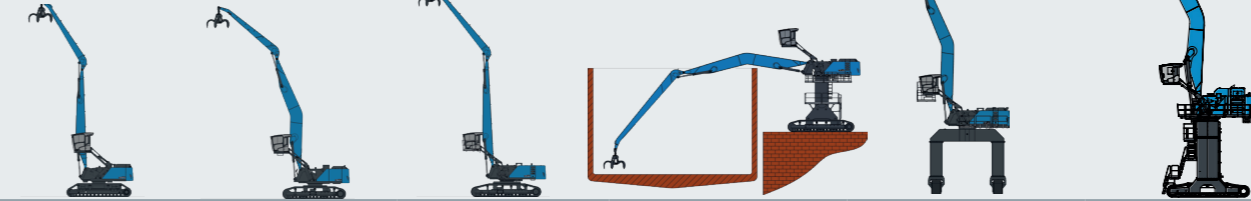


	MHL420	MHL434	MHL354	MHL364	MHL450
	127 / 130 hp	154 hp	215 hp	255 hp	241 hp
	127 hp	154 hp	198 hp	250 hp	244 hp
	48,950 lbs	56,659 lbs	76,941 lbs	106,042 lbs	84,658 lbs
	41'12"	35'1"	37'1"	39'8"	52'6"

RHL

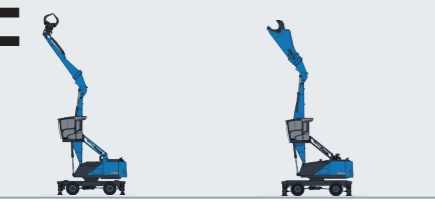


	RHL320	RHL331	RHL340	RHL350	RHL360
	127 hp	154 hp	173 hp	215 hp	255 hp
	127 hp	154 hp	171 hp	198 hp	250 hp
	75 kW	90 kW	110 kW	132 kW	160 kW
	62,831 lbs	63,934 lbs	83,775 lbs	94,798 lbs	119,049 lbs
	34'1"	39'4"	44'11"	52'5"	59'



	RHL370	RHL380	RHL390	RHL390 XL	RHL390 GANTRY	F120MH
	308 hp	328 hp	402 hp	402 hp	402 hp	469 hp + 201 hp Blue Hybrid System
	308 hp	328 hp	366 hp	366 hp	366 hp	469 hp + 201 hp Blue Hybrid System
	200 kW	220 kW	250 kW	250 kW	250 kW	280 kW + 150 kW Blue Hybrid System
	121,254 lbs	169,756 lbs	211,644 lbs	231,485 lbs	242,508 lbs	330,700 lbs
	59'	72'2"	80'4"	80'4"	80'4"	88'6"

FQC



	FQC340*	FQC350*
	173 hp	215 hp
	171 hp	198 hp
	110 kW	132 kW
	65,697 lbs	78,264 lbs
	36'1"	42'7"

* More FQC models upon request ** Basic machine (with stick head and without attachment)

MQC



	MQC345*	MQC350*
	173 hp	215 hp
	171 hp	198 hp
	110 kW	132 kW
	70,547 lbs	75,839 lbs
	41'4"	49'2"

* More MQC models upon request

BQC



	BQC355*
	215 hp
	198 hp
	132 kW
	90,169 lbs
	52'5"

* More BQC models upon request



Let's handle it!

AHL



	AHL350 PYLON*	AHL350 STANDARD*
	215 hp	215 hp
	198 hp	198 hp
	132 kW	132 kW
	56,217 lbs	78,264 lbs
	52'5"	52'5"

* More AHL models upon request



Key Engine power U.S. Tier 4/ EU Stage V Engine power U.S. Tier 3/ EU Stage IIIA Electric motor Max. service weight without attachments Max. reach

MODULAR SYSTEM

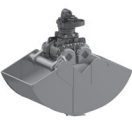
ATTACHMENTS



Cactus grab



Timber grapple



Clamshell grab



Sorting grapple

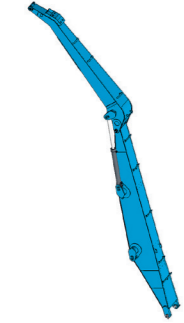


Magnet plate

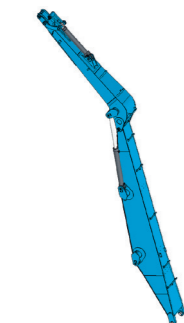


Load hook

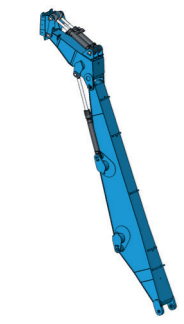
WORK EQUIPMENT



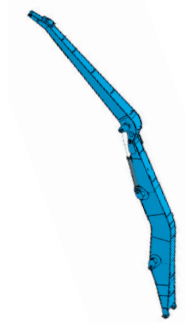
Straight



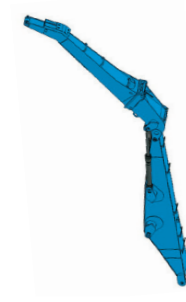
Universal stick



MOC Multi QuickConnect



Banana boom



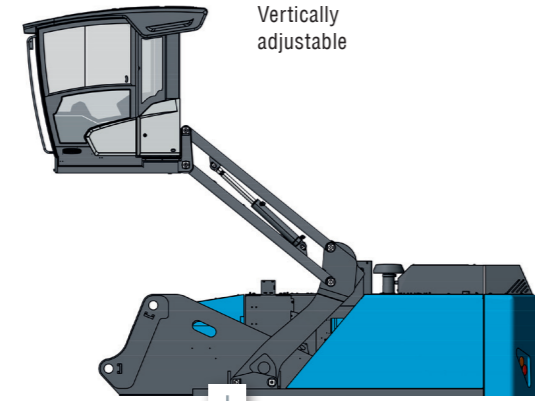
FOC Fuchs QuickConnect



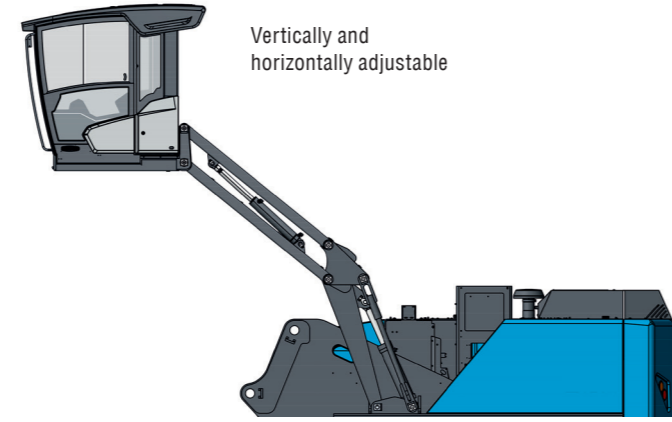
BOC Boom QuickConnect

CAB SYSTEMS

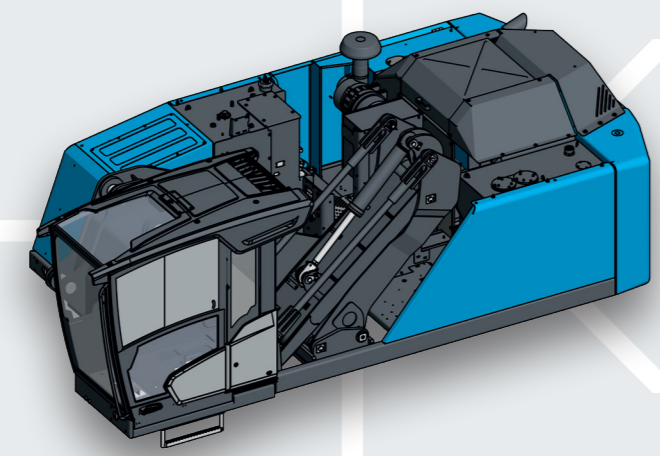
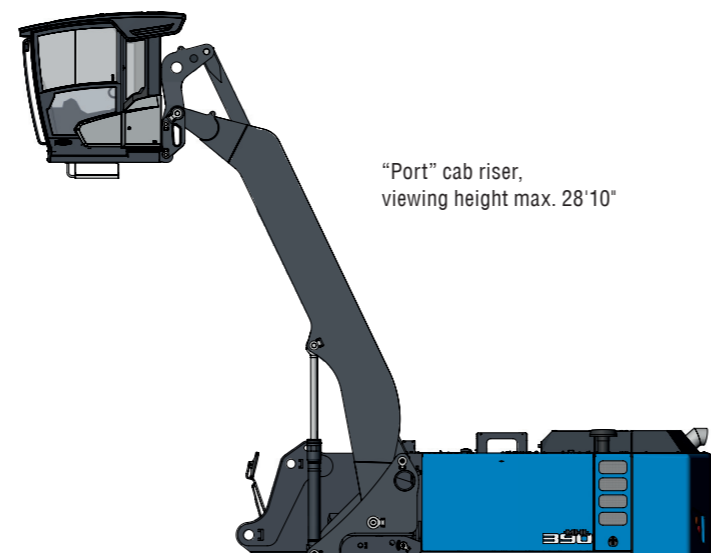
Vertically adjustable



Vertically and horizontally adjustable

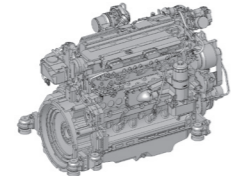


"Port" cab riser, viewing height max. 28'10"

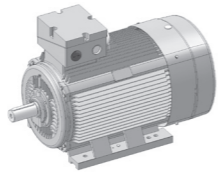


ENGINES

Diesel engine



Electric motor

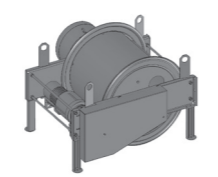


OPTIONS

Cable reel



Cable drum



UNDERCARRIAGES



Standard-undercarriage



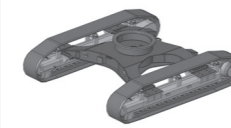
2'

Standard-undercarriage



4'

XL-undercarriage

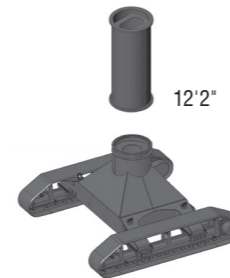


Crawler



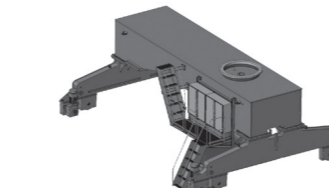
2'

Crawler



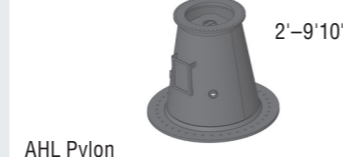
12'

Crawler: XL-undercarriage



Rail undercarriage

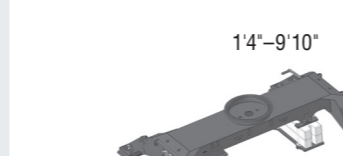
ENGINES



AHL Pylon

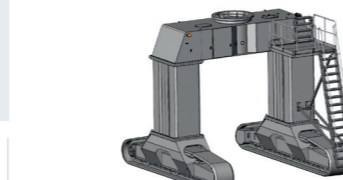


2'-9'10"



AHL Standard-undercarriage

14'-9'10"



Gantry



www.terex.com/fuchs

April 2023. Product specifications and prices are subject to change without notice or obligation. The photographs and/or drawings in this document are for illustrative purposes only. Refer to the appropriate Operator's Manual for instructions on the proper use of this equipment. Failure to follow the appropriate Operator's Manual when using our equipment or to otherwise act irresponsibly may result in serious injury or death. The only warranty applicable to our equipment is the standard written warranty applicable to the particular product and sale and Terex makes no other warranty, express or implied. © Terex Corporation 2023. Terex, the Terex Crown design, Fuchs and Works For You are trademarks of Terex Corporation or its subsidiaries.



Fuchs USA | 11001 Electron Drive | Louisville, KY 40299 | USA | Phone: +1 610-763-7867 | sales.fuchusa@terex.com

US

Product Portfolio

FUCHS MATERIAL HANDLERS

